

Don't forget to watch the videos
whenever you see this image



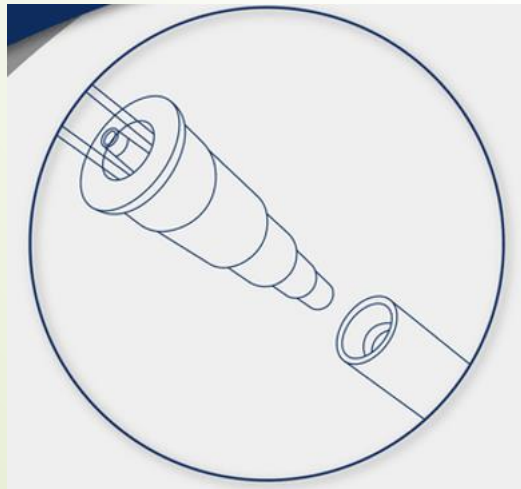
ENFit Enteral System

Do not modify or distribute.

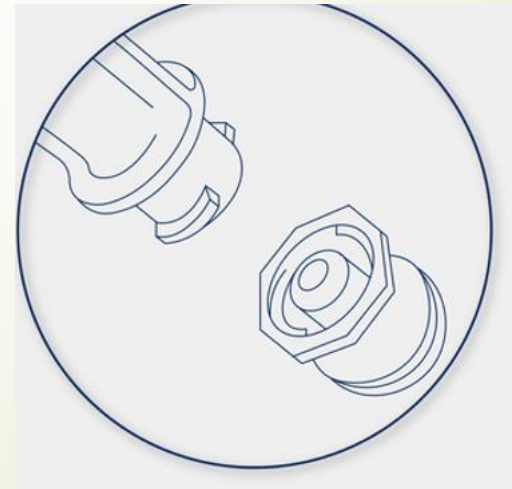
What is changing?

- ▶ Many of the enteral/feeding/gavage supplies you are currently using are changing to a new system called ENFit
- ▶ This includes: Syringes, Nasogastric or Naso-jejunal tubes, G-tube extensions
- ▶ The main change is that instead of the push system of the old connector, it is now a rotation with the new connector

Old connection



New connection



Syringes

ENFit syringes come with two different tips:

- 1 mL and 3 mL syringes have a special tip called the Low-dose tip
- 6, 12, 20, 35 and 60 mL syringes come with the standard ENFit tip

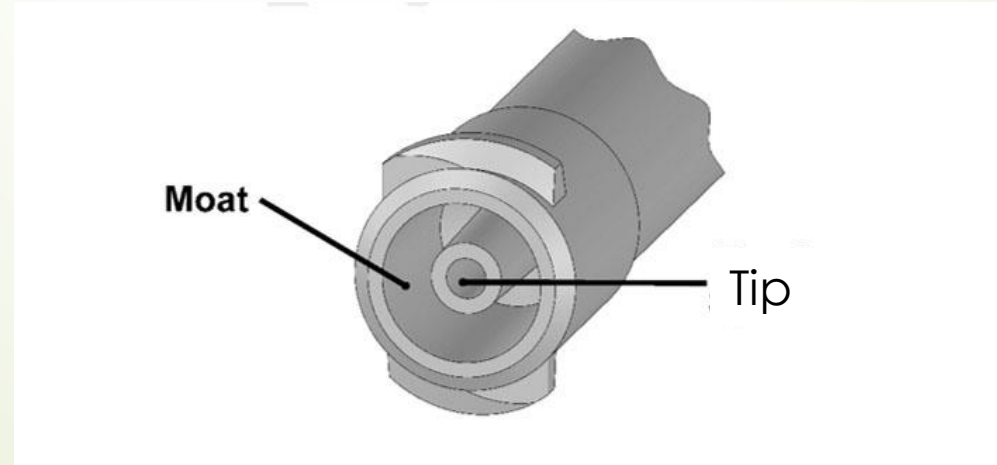
Low
dose tip



Standard
tip

Low-dose tip syringes

- ▶ These syringes were developed to ensure accuracy of medication dosages even with very small volumes
- ▶ There are two parts to this low-dose tip:
 - ▶ The tip
 - ▶ The moat (surrounds the tip)

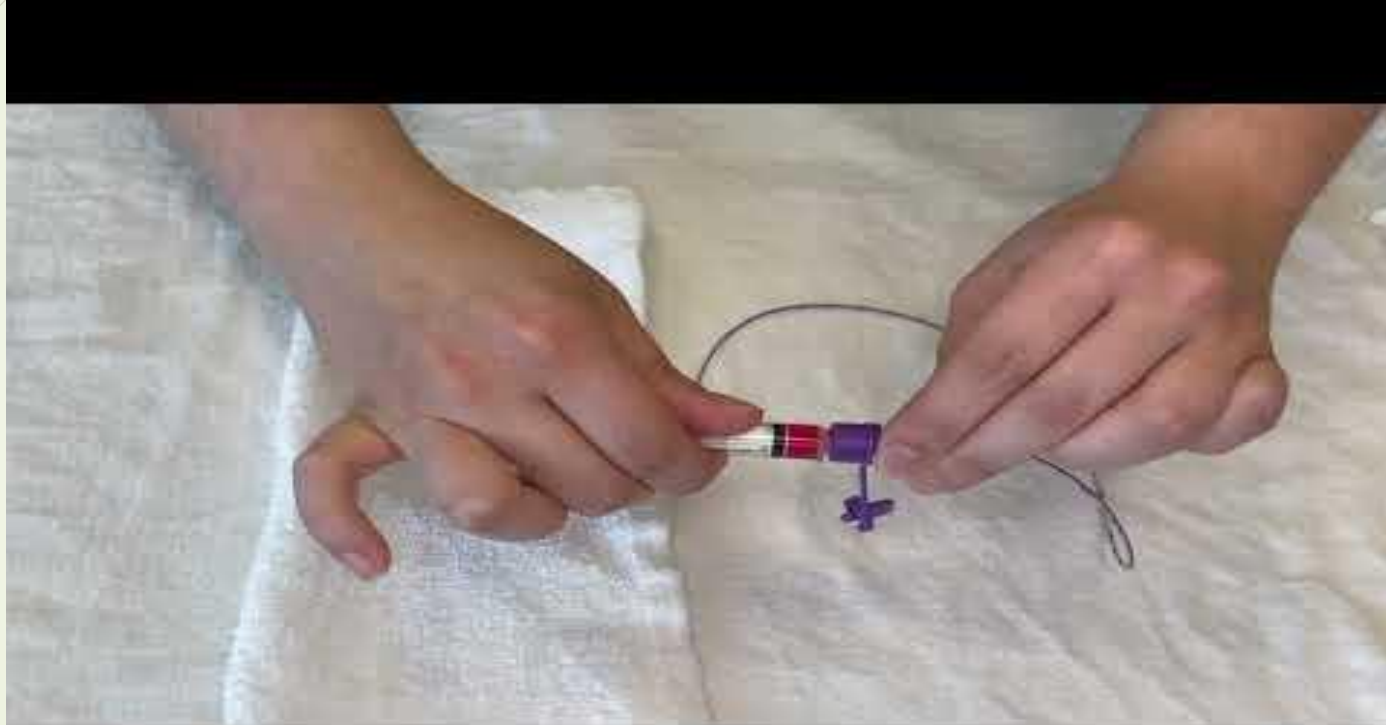


Volume of syringes

- ▶ The new ENFit syringes come in different sizes compared to the old syringes:

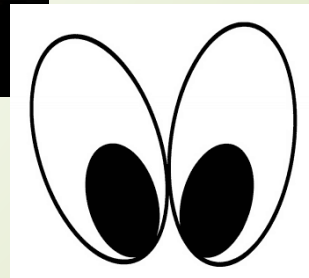
Old size	New size
5 mL	6 mL
10 mL	12 mL
	New: 20 mL
30 mL	35 mL
50 mL	60 mL

Connecting Syringes



Use this link to view the video:

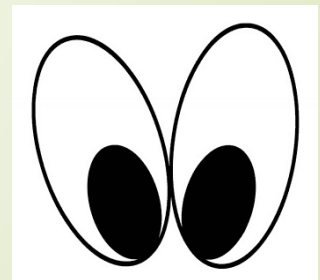
<https://youtu.be/l3E9bCnq29Q>



Connecting to Feeding Bags



Use this link to view the video:
<https://youtu.be/ZzAAvwG27dY>



How to prepare medications in a syringe

- ▶ It is very important, when preparing medication in a low-dose tip syringe, that you do not leave any excess medication in the syringe tip or moat
- ▶ There is a simple and effective way to remove this excess medication from the syringe moat



Use this link to view the video:
<https://youtu.be/Z-YDWf4dgcs>

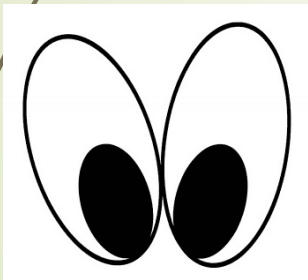
How to clean ENFit connection

Cleaning the connector of your ENFit enteral device is important to maintain secure connections and prevent blockages



Use this link to view the video:

<https://youtu.be/9MpQyHtKHkA>





Questions

- ▶ If you have any questions, contact your primary home enteral feeding program nurse or the clinical nutrition department